



NTF-3218 NTF-3227 NTF-3239 NTF-3240

Biax Compact Fluorescent Fixtures

DESCRIPTION

Extruded aluminum compact fluorescent track fixture incorporating a dual biax lamp source. Integral electronic ballast provides efficient and quiet power for biax lamps. 5/8" chrome louver provides optimum performance and cutoff for increased aesthetics and light control. Heavy duty yoke allows full vertical and lateral adjustment on the dual 18 watt fixture, and full vertical adjustment with extra structural support on the dual 27-40 watt fixtures. Dual tightening knobs assure secure lock on vertical angle position.

FEATURES

- Heavy duty extruded aluminum body with die cast end caps.
- Low profile, aesthetic design
- Integral 5/8" Louver
- Integral high efficiency solid state ballast
- High-strength stainless steel electrical contacts
- One or two circuit track capable

HOUSING

Main body consists of .070 extruded aluminum terminating at two .10 die cast aluminum end caps, permanently welded to fixture body. Rear ballast housing constructed of .070 die cast, also welded to main fixture body.

REFLECTOR

.020 aluminum polished to mirror quality clear specularly.

BALLAST

Type I, Outdoor Class P solid state electronic ballast.
 120V, 60Hz
 Sound Rating A
 Starting Temperature 0°F -18°C
 Start Rating >50,000
 Power Factor >0.98
 THD <20%

YOKE

.085 Rigid steel yoke connects fixture housing to electrical contact head. Dual plastic angle tightening knobs maintain clean, decorative appearance of the fixture and provide secure angle position.

SOCKET

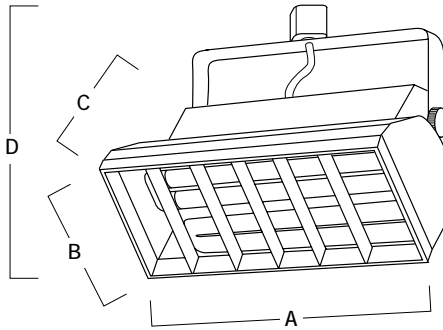
4-Pin socket to accept 2G11 base biax compact fluorescent light sources. Two per fixture placed on opposite outside edges of fixture facing in for even, shadow-free illumination.

LAMP BRACKET

Additional lamp support provided by two UV-rated plastic injection molded brackets located at midsection of light source.

LOUVER

.08 Injection-molded colored construction body. Cells measure 4-1/8" X 1-7/8" (inside), 5/8" deep for glare cutoff and high directional control. .020 High-memory stainless steel clips provide firm tension hold into track fixture housing. Chrome finish standard; two other finishes may be ordered as separate accessories.



NTF-3218

PRODUCT MATRIX

CATALOG NUMBER	FINISH	LAMP	WATTS	AMPS	HEADS
NTF-3218	B,W	(2) F18BX	33	.28	1
NTF-3227	B,W	(2) F27BX	49	.42	2
NTF-3239	B,W	(2) F39BX	64	.55	2
NTF-3240	B,W	(2) F40BX	68	.58	2

DIMENSIONS

NTF - 3 2 1 8

A: Length	12-1/4"	(31.1 cm)
B: Width	5-1/8"	(130 mm)
C: Depth	4-1/8"	(105 mm)
D: Max Extension	8-1/4"	(21 cm)

NTF - 3 2 2 7

A: Length	14-1/4"	(36.2 cm)
B: Width	5-1/8"	(130 mm)
C: Depth	4-1/8"	(105 mm)
D: Max Extension	8-1/4"	(21 cm)

NTF - 3 2 3 9

A: Length	18"	(45.7 cm)
B: Width	5-1/8"	(130 mm)
C: Depth	4-1/8"	(105 mm)
D: Max Extension	8-1/4"	(21 cm)

NTF - 3 2 4 0

A: Length	24-1/4"	(62.2 cm)
B: Width	5-1/8"	(130 mm)
C: Depth	4-1/8"	(105 mm)
D: Max Extension	8-1/4"	(21 cm)

CONTACT HEAD ASSEMBLY

Three .030 stainless steel contacts mounted in high heat rated plastic housing. 18 watt fixture includes one central mounted contact head allowing the fixture to be aimed along a horizontal axis as well as vertical. 27, 39, and 40 watt fixtures include an extra plastic head with no electrical components to serve strictly as an extra support for the fixture.

Note that 27, 39, and 40 watt fixtures are only vertically adjustable.

ONE/TWO CIRCUIT CONVERSION

Positive contact (opposite neutral and ground contacts) is preset to "down" position at factory, but may be raised to the higher position to install onto the second circuit of Nora Lighting NT-2300 series two-circuit track.

FINISHES

White or Black heat rated baked enamel paint. Custom painting or anodizing for special applications is also

available. Custom finishes will require lead times that vary depending on vendor schedules. Please consult factory for quotation, and provide either a Dunn Edwards number or color chip for exact matching.

COMPATIBILITY

Nora track fixtures are interchangeable with Halo, Catalina, Hampton Bay, Halo-Edison, or any other brands configured to Halo track system design. Note: fixtures may not be compatible with non-Nora transformers or monopoint adapters.

UL LISTED

UL Listed as track lighting fitting

ACCESSORIES

Louvers: NTF-3218/27/39/40 (B,C,W)
(Order only if finish other than chrome is desired)

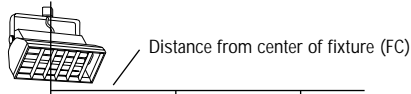
Custom Finishes: Consult Factory

NTF-3218 NTF-3227 NTF-3239 NTF-3240

IESNA Lab: LM-63-1995

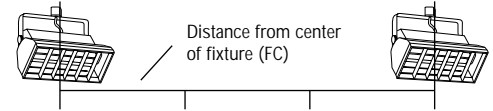
All units tested with clear louver. Tilt angle 45°

Single Units



Multiple Unit Array

3 unit array example



Mounting height from floor (FF)	FC	0.0	1.0	2.0
9.0	FF	0.0	1.0	2.0
9.0	0.0	30.2	24.3	12.5
8.0	0.0	41.7	33.4	18.9
7.0	0.0	31.0	26.7	17.4
6.0	0.0	18.1	16.1	12.0
5.0	0.0	11.6	10.7	8.55
4.0	0.0	7.38	6.97	5.86
3.0	0.0	4.74	4.54	4.03
2.0	0.0	3.16	3.06	2.76
1.0	0.0	2.19	2.13	1.93

Mounting height from floor (FF)	FC	0.0	1.0	2.0
9.0	FF	0.0	1.0	2.0
9.0	0.0	62.5	60.0	60.0
8.0	0.0	92.4	88.5	88.5
7.0	0.0	77.3	78.0	78.0
6.0	0.0	52.6	53.0	53.0
5.0	0.0	37.7	38.4	38.4
4.0	0.0	26.6	27.2	27.2
3.0	0.0	18.6	19.2	19.2
2.0	0.0	13.3	13.6	13.6
1.0	0.0	9.66	9.90	9.90

SINGLE UNIT 3' FROM WALL	SINGLE UNIT 4' FROM WALL	3 UNIT ARRAY 3' ON CENTER 3' FROM WALL	3 UNIT ARRAY 3' ON CENTER 4' FROM WALL	4 UNIT ARRAY 4' ON CENTER 3' FROM WALL	4 UNIT ARRAY 4' ON CENTER 4' FROM WALL
-----------------------------	-----------------------------	--	--	--	--

NTF-3218

Test No. 100-1C

FC	0.0	1.0	2.0	3.0	4.0	5.0	6.0	7.0	8.0	FC	0.0	1.0	2.0	3.0	4.0	5.0	6.0	7.0	8.0	FC	0.0	1.0	2.0	FC	0.0	1.0	2.0	3.0	FC	0.0	1.0	2.0	3.0
FF										FF										FF				FF					FF				
9.0	30.2	24.3	12.5	5.42	2.05	0.85	0.31	0.08	0.01	9.0	17.0	15.2	10.1	5.81	3.05	1.49	0.75	0.38	0.18	9.0	29.4	29.9	29.9	9.0	34.3	30.6	25.7	30.6	9.0	23.3	22.9	21.7	22.9
8.0	41.7	33.4	18.9	9.35	4.40	1.89	0.80	0.38	0.17	8.0	22.7	20.1	14.1	8.48	4.91	2.75	1.42	0.72	0.39	8.0	41.1	41.8	41.8	8.0	50.7	45.0	39.4	45.0	8.0	33.0	32.0	31.0	32.0
7.0	31.0	26.7	17.4	9.41	4.91	2.64	1.30	0.64	0.33	7.0	21.3	19.4	14.3	9.21	5.51	3.25	1.93	1.08	0.61	7.0	41.7	42.4	42.4	7.0	41.2	39.4	37.4	39.4	7.0	33.0	32.9	32.4	32.9
6.0	18.1	16.1	12.0	7.59	4.40	2.58	1.55	0.86	0.48	6.0	15.4	14.3	11.4	7.92	5.09	3.18	2.01	1.30	0.78	6.0	33.3	33.9	33.9	6.0	27.4	27.1	27.1	27.1	6.0	26.4	26.7	26.8	26.7
5.0	11.6	10.7	8.55	5.94	3.82	2.38	1.51	0.97	0.59	5.0	10.2	9.52	7.94	6.06	4.27	2.84	1.89	1.27	0.87	5.0	24.9	25.4	25.4	5.0	19.8	20.0	20.1	20.0	5.0	19.6	19.7	19.7	19.7
4.0	7.38	6.97	5.86	4.41	3.11	2.08	1.39	0.93	0.63	4.0	7.31	6.93	5.98	4.85	3.57	2.53	1.75	1.22	0.86	4.0	18.8	19.0	19.0	4.0	14.2	14.4	14.5	14.4	4.0	15.3	15.5	15.5	15.5
3.0	4.74	4.54	4.03	3.17	2.41	1.74	1.23	0.86	0.61	3.0	5.17	5.03	4.44	3.76	2.90	2.17	1.57	1.13	0.82	3.0	14.3	14.5	14.5	3.0	10.2	10.3	10.5	10.3	3.0	11.8	12.1	12.0	12.1
2.0	3.16	3.06	2.76	2.30	1.83	1.38	1.04	0.77	0.56	2.0	3.73	3.60	3.29	2.84	2.29	1.81	1.36	1.02	0.76	2.0	10.8	11.0	11.0	2.0	7.37	7.51	7.60	7.51	2.0	9.06	9.27	9.30	9.27
1.0	2.19	2.13	1.93	1.67	1.39	1.10	0.85	0.66	0.51	1.0	2.67	2.60	2.42	2.15	1.79	1.46	1.15	0.90	0.69	1.0	6.39	6.56	6.56	1.0	5.48	5.56	5.58	5.56	1.0	6.93	7.11	7.15	7.11

NTF-3227

Test No. 100-1C27

FC	0.0	1.0	2.0	3.0	4.0	5.0	6.0	7.0	8.0	FC	0.0	1.0	2.0	3.0	4.0	5.0	6.0	7.0	8.0	FC	0.0	1.0	2.0	FC	0.0	1.0	2.0	FC	0.0	1.0	2.0	3.0	FC	0.0	1.0	2.0	3.0
FF										FF										FF			FF					FF									
9.0	45.7	36.6	18.9	8.18	3.09	1.29	0.47	0.12	0.01	9.0	25.7	23.0	15.3	8.78	4.60	2.24	1.13	0.57	0.26	9.0	62.5	60.0	60.0	9.0	44.4	45.1	45.1	9.0	51.9	46.2	38.8	46.2	9.0	35.2	34.6	32.8	34.6
8.0	63.0	50.4	28.5	14.1	6.65	2.85	1.20	0.57	0.26	8.0	34.3	30.3	21.3	12.8	7.42	4.16	2.15	1.09	0.58	8.0	92.4	88.5	88.5	8.0	62.1	63.2	63.2	8.0	76.5	68.0	59.5	68.0	8.0	49.8	48.4	46.8	48.4
7.0	46.9	40.3	26.8	14.2	7.42	3.99	1.97	0.97	0.49	7.0	32.2	29.3	21.6	13.9	8.33	4.91	2.92	1.64	0.91	7.0	77.3	78.0	78.0	7.0	63.0	64.1	64.1	7.0	62.2	59.4	56.5	59.4	7.0	49.8	49.7	49.0	49.7
6.0	27.3	24.3	18.2	11.5	6.63	3.89	2.34	1.30	0.72	6.0	23.3	21.5	17.2	12.0	7.68	4.80	3.04	1.96	1.18	6.0	52.6	53.0	53.0	6.0	50.2	51.2	51.2	6.0	41.3	40.9	41.0	40.9	6.0	39.8	40.3	40.5	40.3
5.0	17.4	16.2	12.9	8.97	5.76	3.60	2.28	1.47	0.89	5.0	15.4	14.4	12.0	9.16	6.44	4.28	2.85	1.92	1.32	5.0	37.7	38.4	38.4	5.0	36.5	37.1	37.1	5.0	29.9	30.2	30.4	30.2	5.0	29.6	29.7	29.7	29.7
4.0	11.1	10.5	8.85	6.67	4.70	3.14	2.10	1.41	0.96	4.0	11.0	10.5	9.03	7.33	5.40	3.82	2.65	1.85	1.30	4.0	26.6	27.2	27.2	4.0	28.3	28.7	28.7	4.0	21.5	21.7	21.9	21.7	4.0	23.1	23.5	23.4	23.5
3.0	7.16	6.85	6.09	4.79	3.63	2.63	1.85	1.30	0.92	3.0	7.81	7.59	6.71	5.68	4.38	3.28	2.37	1.71	1.24	3.0	18.6	19.2	19.2	3.0	21.5	22.0	22.0	3.0	15.3	15.6	15.9	15.6	3.0	17.8	18.3	18.2	18.3
2.0	4.77	4.62	4.17	3.47	2.76	2.09	1.57	1.16	0.85	2.0	5.62	5.44	4.96	4.29	3.45	2.73	2.06	1.54	1.15	2.0	13.3	13.6	13.6	2.0	16.3	16.6	16.6	2.0	11.1	11.3	11.5	11.3	2.0	13.7	14.0	14.0	14.0
1.0	3.31	3.22	2.92	2.53	2.10	1.66	1.29	0.99	0.76	1.0	4.03	3.93	3.66	3.25	2.70	2.20	1.74	1.36	1.04	1.0	9.66	9.90	9.90	1.0	12.3	12.5	12.5	1.0	8.27	8.41	8.42	8.41	1.0	10.5	10.7	10.8	10.7

NTF-3239

Test No. 100-1F

FC	0.0	1.0	2.0	3.0	4.0	5.0	6.0	7.0	8.0	FC	0.0	1.0	2.0	3.0	4.0	5.0	6.0	7.0	8.0	FC	0.0	1.0	2.0	FC	0.0	1.0	2.0	FC	0.0	1.0	2.0	3.0	FC	0.0	1.0	2.0	3.0
FF										FF										FF			FF					FF									
9.0	76.3	60.8	31.8	13.5	4.99	2.08	0.77	0.20	0.02	9.0	42.9	38.1	25.7	14.7	7.62	3.65	1.82	0.92	0.43	9.0	104	99.7	99.7	9.0	74.1	75.0	75.0	9.0	86.3	76.6	65.2	76.6	9.0	58.6	57.3	55.0	57.3
8.0	104	83.1	47.8	23.5	11.1	4.77	2.05	0.98	0.45	8.0	57.3	49.9	35.7	21.7	12.4	6.93	3.57	1.82	0.98	8.0	153	147	147	8.0	104	105	105	8.0	126	112	99.8	112	8.0	83.1	80.3	78.6	80.3
7.0	76.8	66.2	43.1	23.4	12.3	6.68	3.35	1.69	0.88	7.0	53.0	48.0	35.5	23.1	13.8	8.16	4.89	2.76	1.56	7.0	127	128	128	7.0	104	106	106	7.0	102	98.0	93.0	98.0	7.0	82.1	82.0	80.8	82.0
6.0	44.5	39.7	29.2	18.5	10.9	6.47	3.92	2.22	1.26	6.0	38.0	35.5	28.1	19.5	12.6	7.95	5.06	3.28	2.00	6.0	85.4	86.3	86.3	6.0	82.1	84.1	84.1	6.0	67.6	66.9	66.2	66.9	6.0	65.2	66.2	66.3	66.2
5.0	28.5	26.6	21.1	14.7	9.46	5.96	3.79	2.46	1.50	5.0	25.1	23.4	19.5	14.7	10.4	7.00	4.62	3.20	2.21	5.0	59.2	60.3	60.3	5.0	59.2	60.3	60.3	5.0	48.9	49.7	49.7	49.7	5.0	48.0	48.3	48.4	48.3
4.0	18.3	17.3	14.5	11.0	7.76	5.19	3.48	2.35	1.60	4.0	18.0	17.1	14.8	11.9	8.79	6.25	4.37	3.06	2.16	4.0	43.7	44.8	44.8	4.0	46.1	47.0	47.0	4.0	35.4	35.8	36.0	35.8	4.0	37.7	38.4	38.3	38.4
3.0	11.8	11.2	9.99	7.89	6.02	4.35	3.07	2.16	1.53	3.0	12.8	12.5	11.0	9.28	7.19	5.39	3.90	2.83	2.05	3.0	30.6	31.6	31.6	3.0	35.3	36.1	36.1	3.0	25.3	25.6	26.1	25.6	3.0	29.2	30.0	29.9	30.0
2.0	7.84	7.57	6.84	5.72	4.57	3.48	2.60	1.93	1.41	2.0	9.26	8.94	8.18	7.03	5.68	4.53	3.40	2.54	1.90	2.0	21.9	22.5	22.5	2.0	26.7	27.3	27.3	2.0	18.4	18.7	18.9	18.7	2.0	22.5	23.0	23.2	23.0
1.0	5.44	5.27	4.79	4.17	3.48	2.77	2.15	1.66	1.27	1.0	6.62	6.44	6.00	5.34	4.44	3.64	2.89	2.25	1.73	1.0	15.9	16.3	16.3	1.0	20.2	20.5	20.5	1.0	13.7	13.9	13.9	13.9	1.0	17.2	17.7	17.8	17.